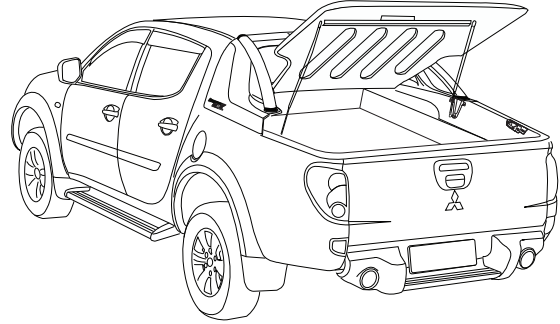
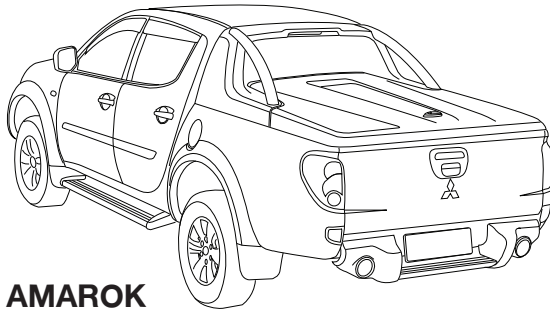


INSTALLATION

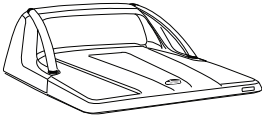
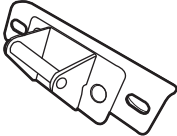
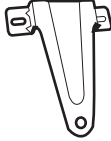


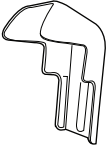
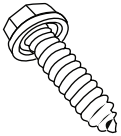
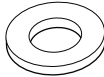






MITSUBISHI TRITON L200 D/CAB

1/4



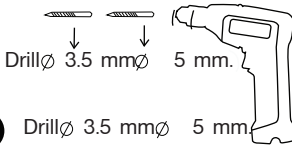

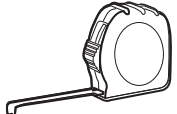


VOLKSWAGEN AMAROK

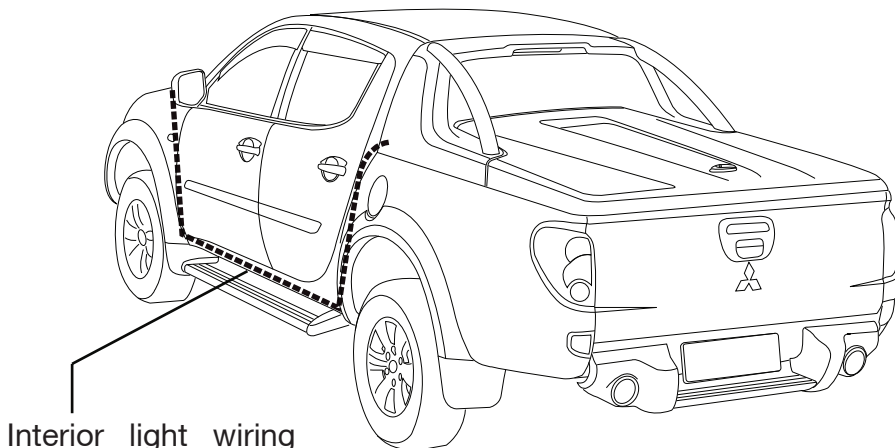
INSTALLATION PARTS

 1 Sport lid 1 set.	 2 Latch 2 sets.	 3 Gas strut mounting bracket 2 pcs.	 4 Gas strut 2 pcs.	 5 Kwicklamp 4 pcs.
 6 Plastic cover kwick klamp 4 pcs.	 7 Head tapping screw 1/4 x 1 8 pcs.	 8 Washer 8 pcs.	 9 Stopper washer 4 pcs.	 10 Sponge seal
 11 Cable tie 6" 15 pcs.	 12 Sticker resin carryboy sport lid GRX 2 pcs.	 13 CARRYBOY emblem 1 pc.	 14 PVC sticker	

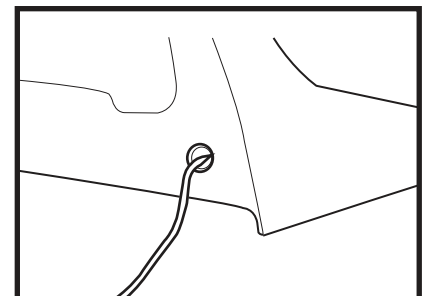
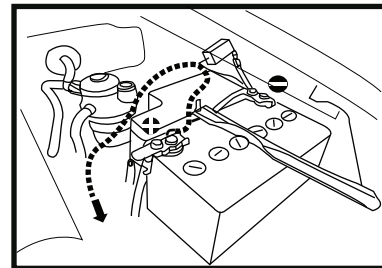
INSTALLATION TOOLS

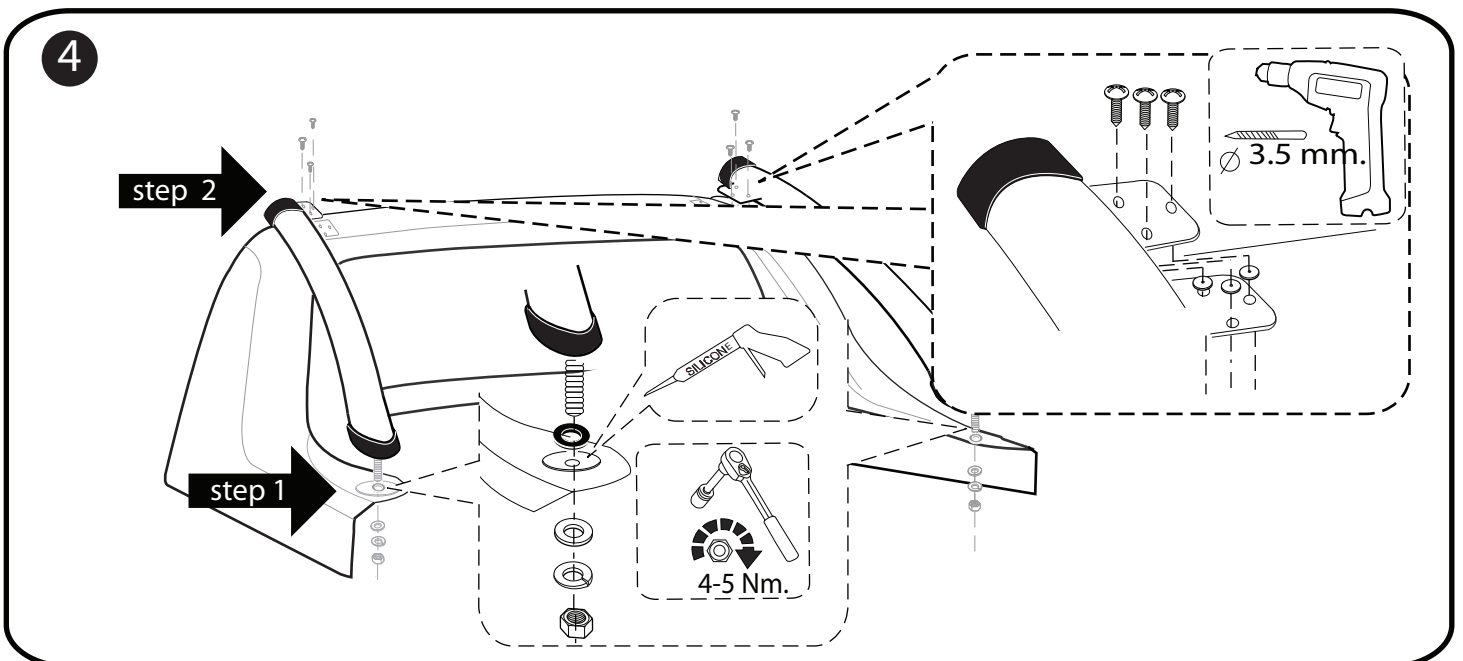
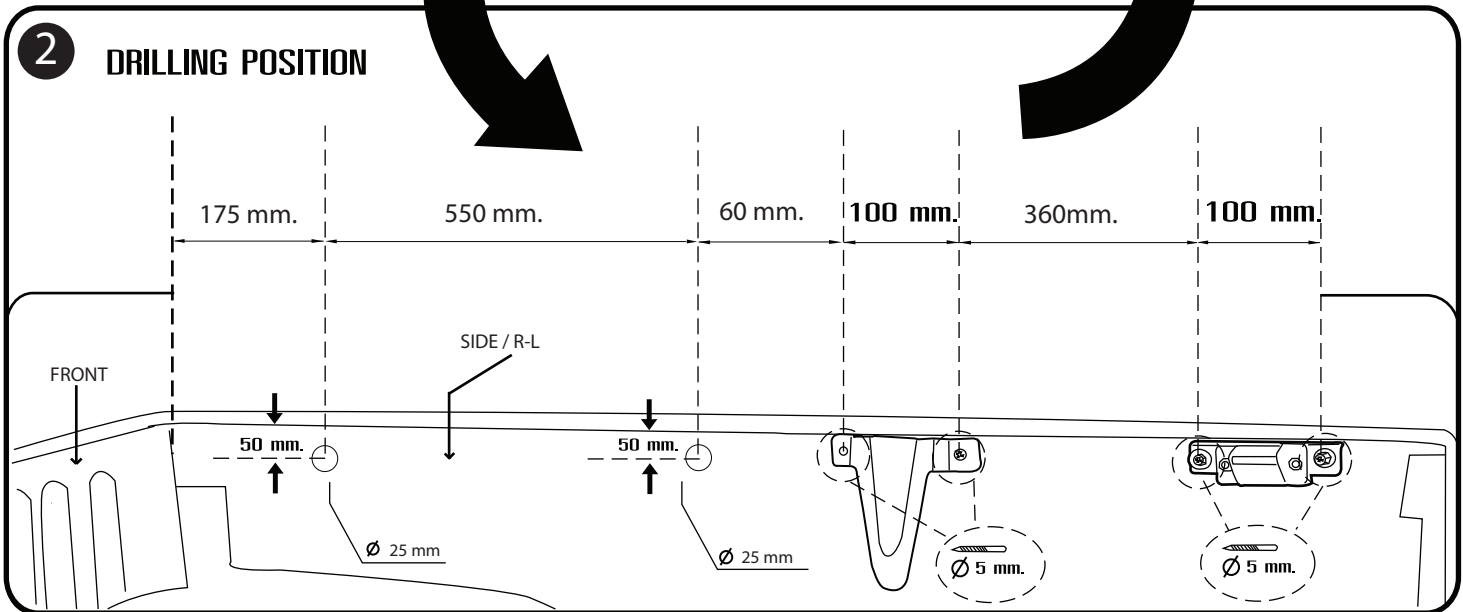
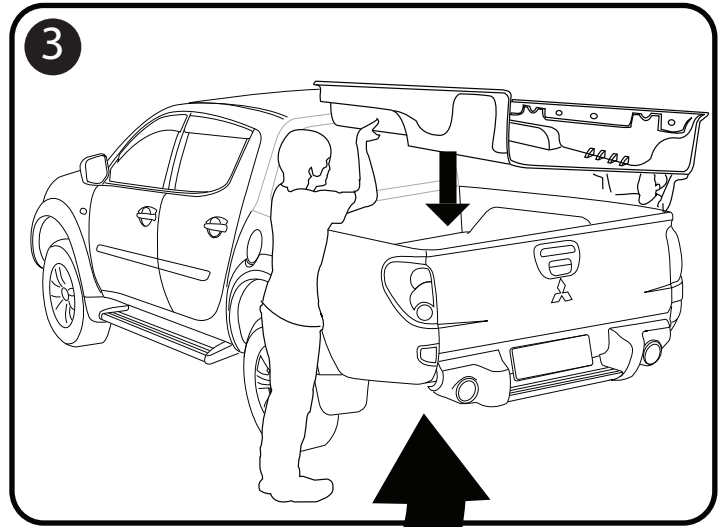
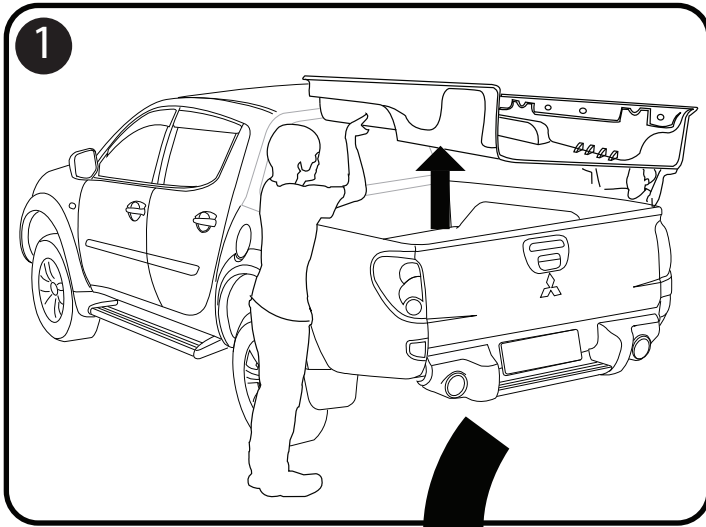
 1 Wrench No. 12,13	 2 Torque wrench # 13	 3 Drill 3.5 mm 5 mm	 4 Screw driver	 5 Measuring tape
---	--	---	--	--

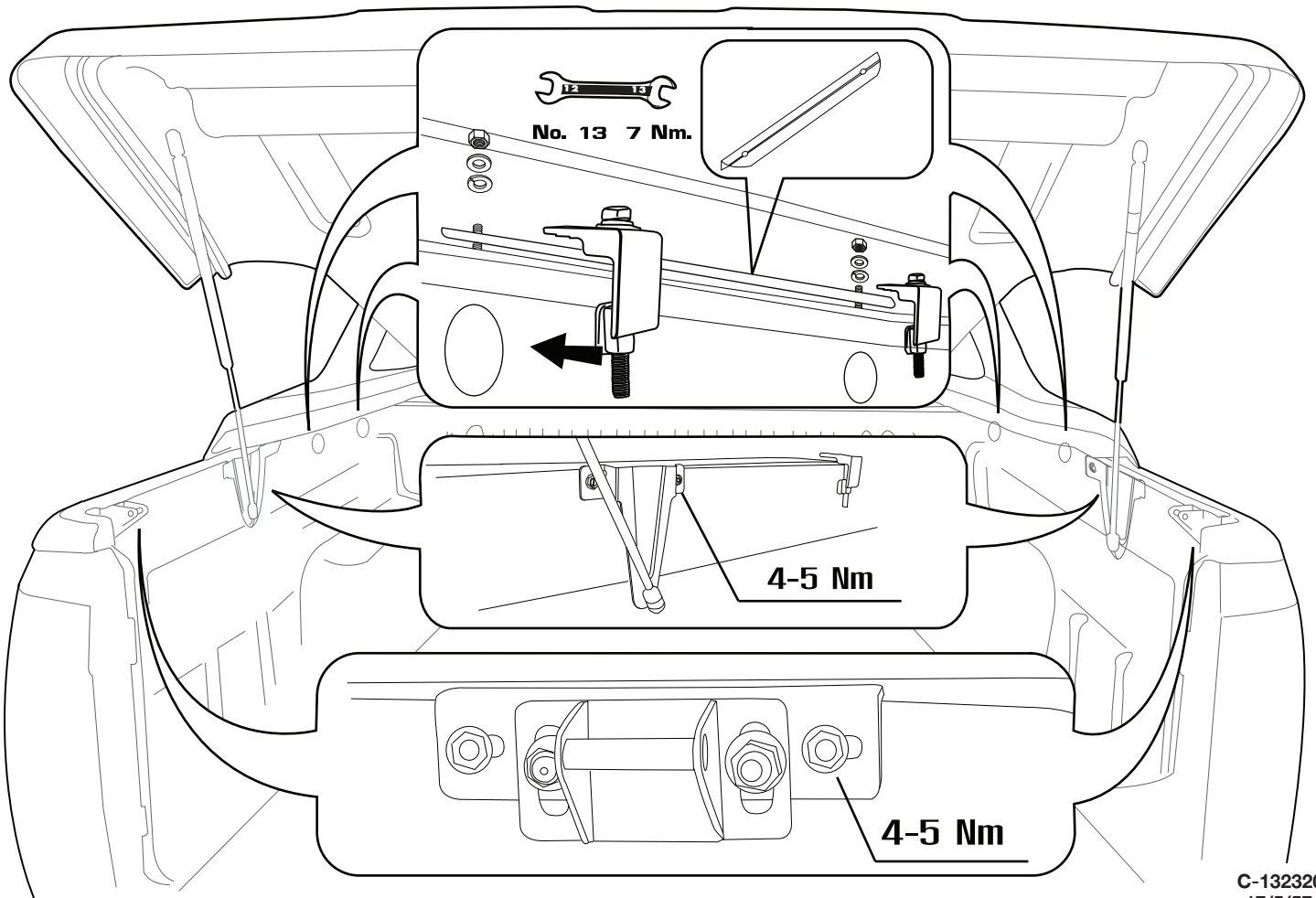
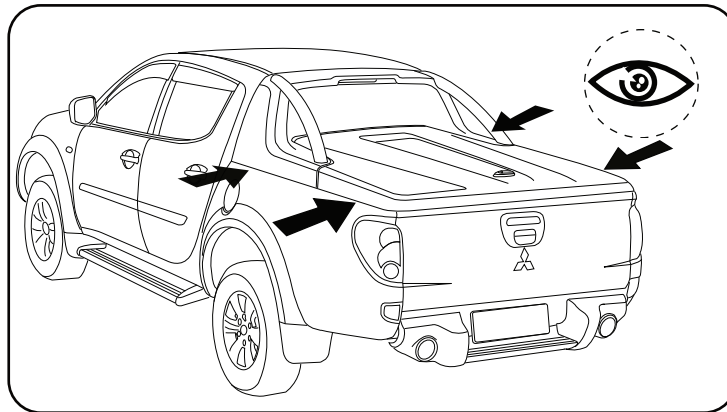
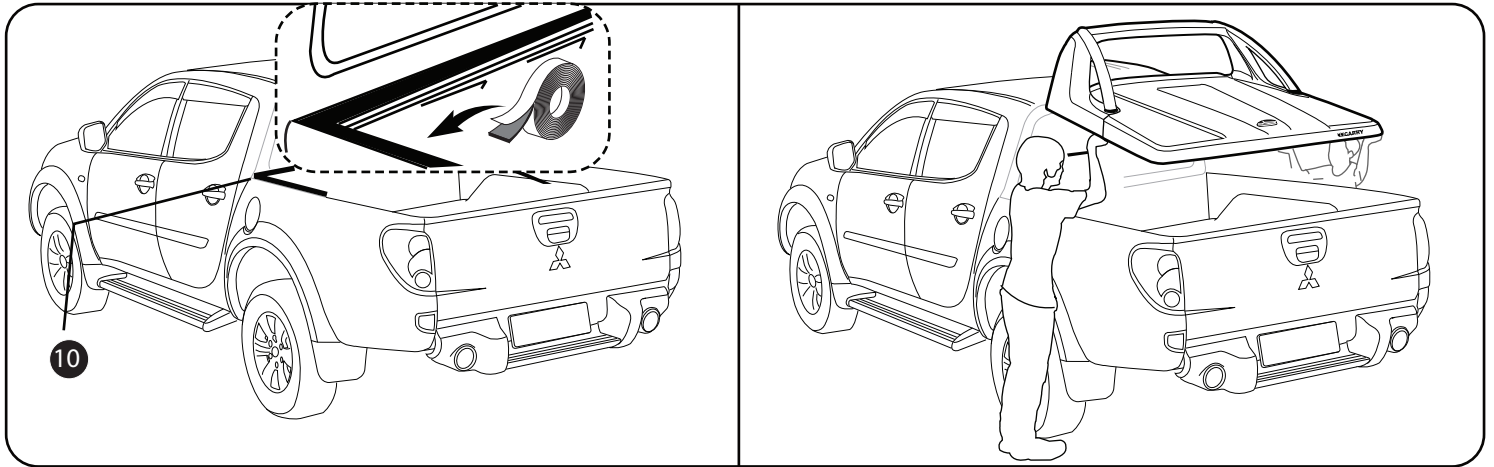
WIRING DIAGRAM



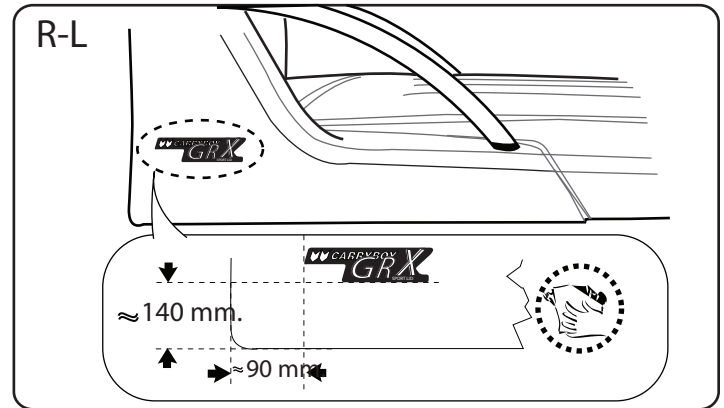
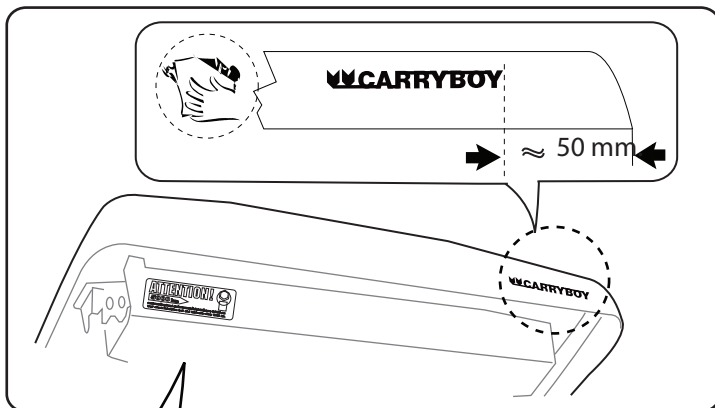
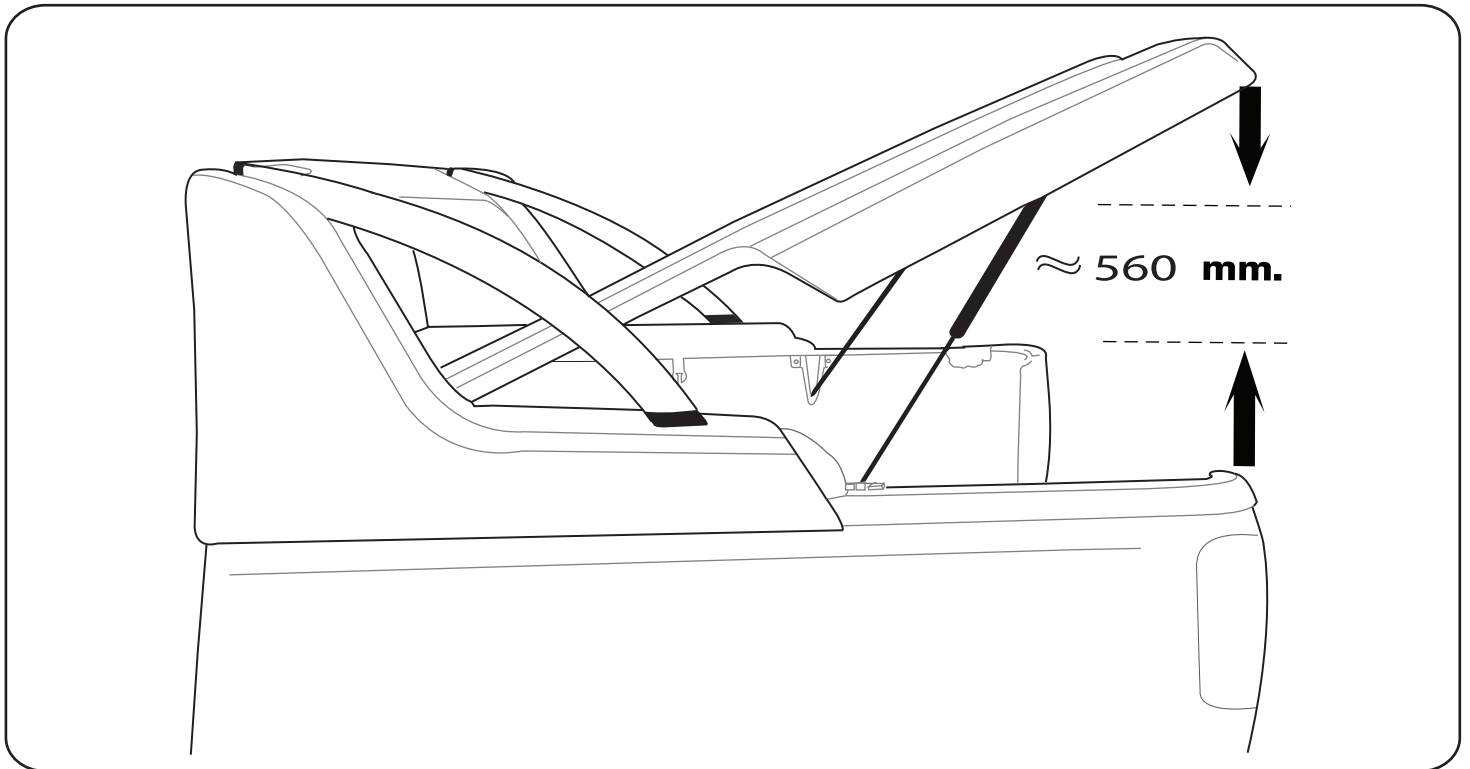
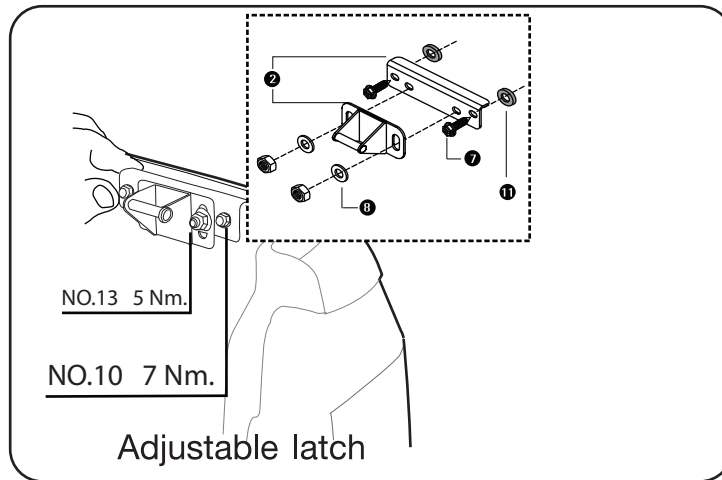
Interior light wiring







4/4



CAUTION

Tighten bolts, nuts, screws and lubricant parts every 5,000 km.