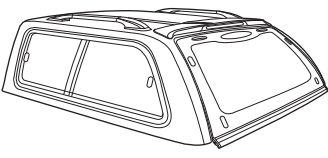
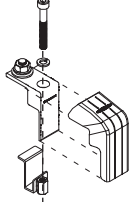
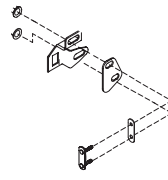

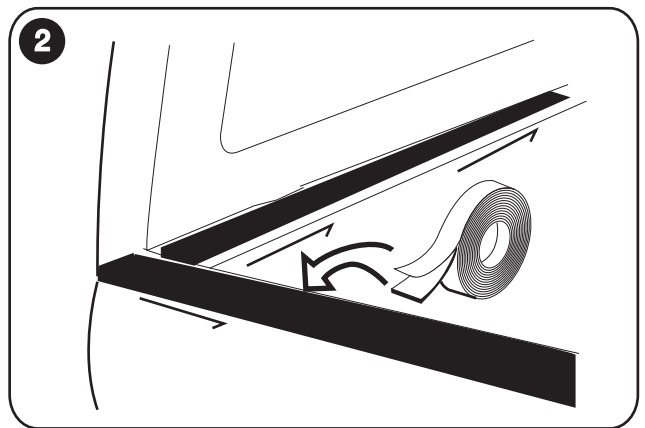
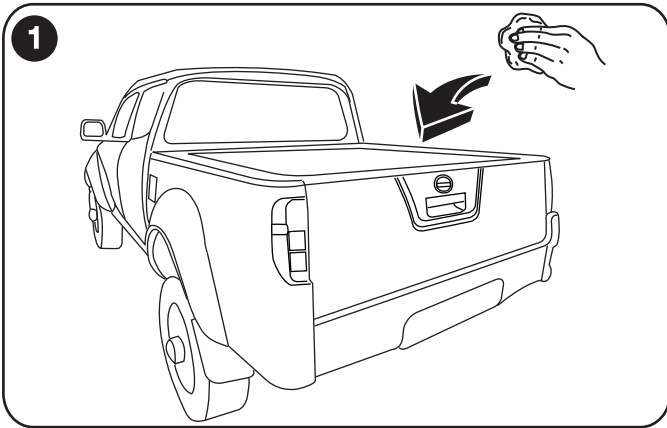
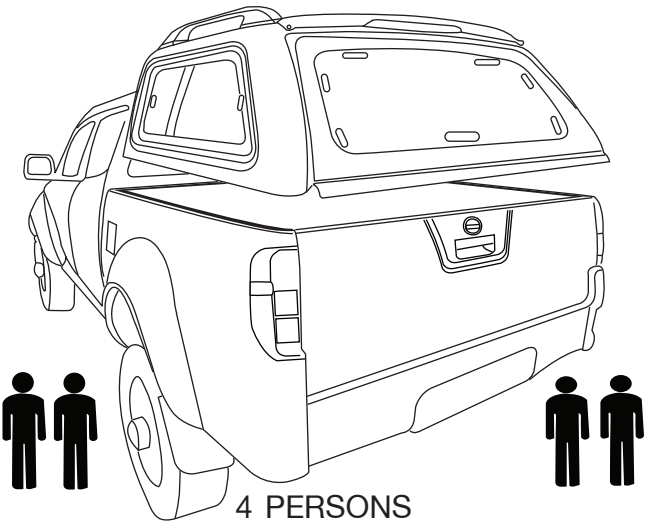


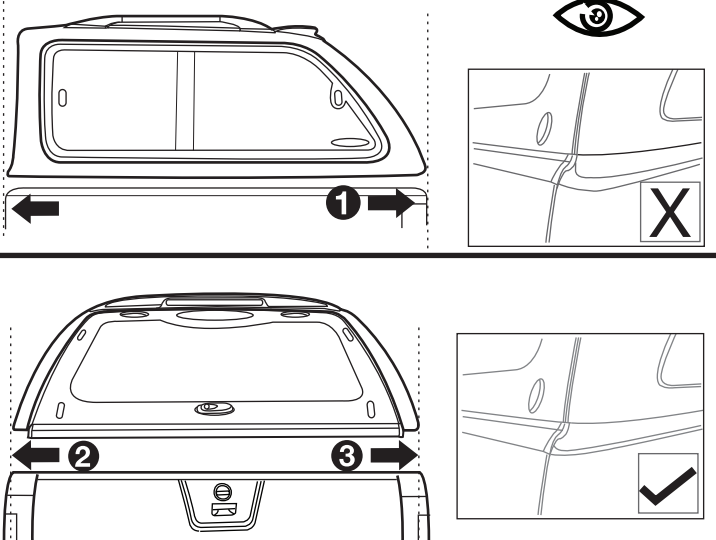
|   |   |  |   |
|---|---|--|---|
| <p><b>1</b> HARDTOP 1 SET.</p>  | <p><b>2</b> KWIC KLAMP S4 6 SET</p>  | <p><b>3</b> LATCH STL.S-5 P/L 2 SET</p>  | <p><b>4</b> RUBBER TRUCK EDGE 1 PC.</p>  |
|---|---|--|---|



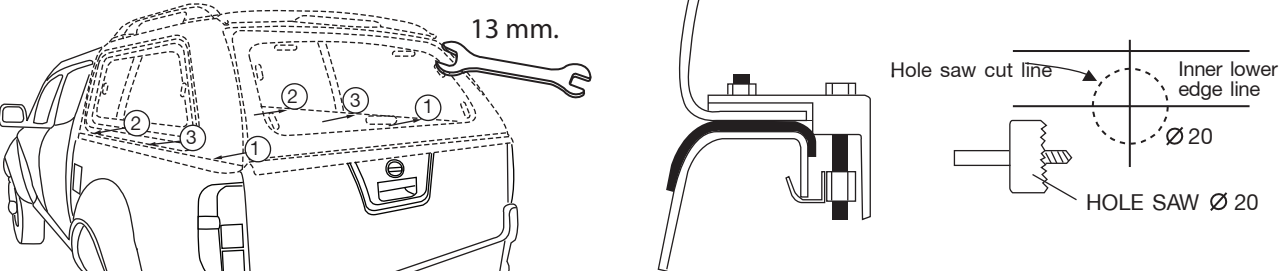
**3**



4 PERSONS



**4** FOR 6 POSITIONS



13 mm.


Hole saw cut line

Inner lower edge line

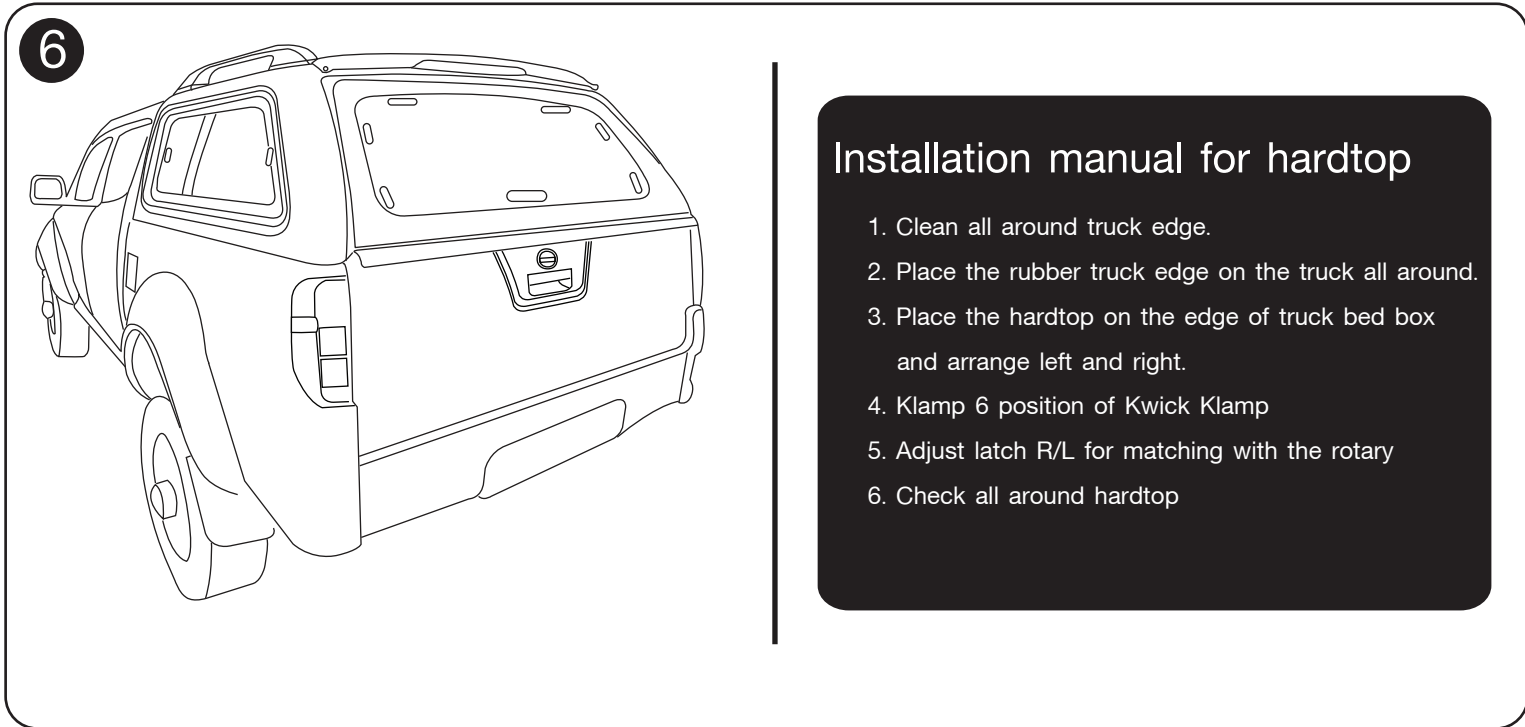
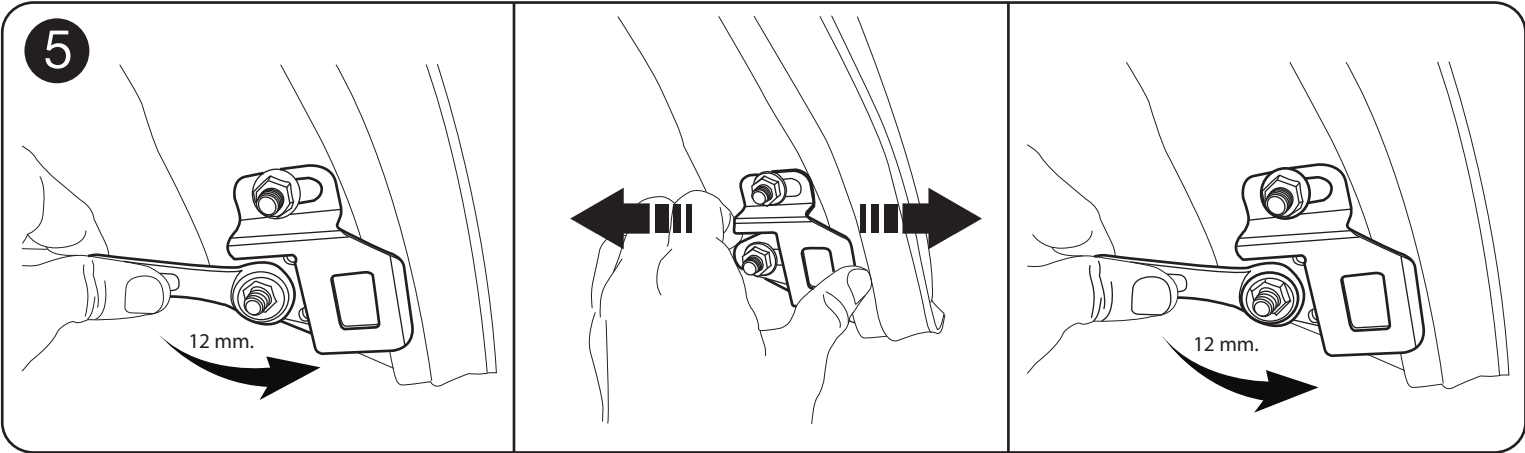
Ø 20

HOLE SAW Ø 20

In case of having bed liner , the bed liner must be drilled with a hole saw 20 mm. at the same level of truck's inner low edge



7 Nm.



### ELECTRIC LINE CONNECTING

