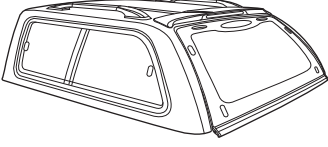
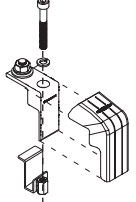
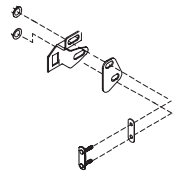
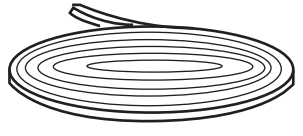
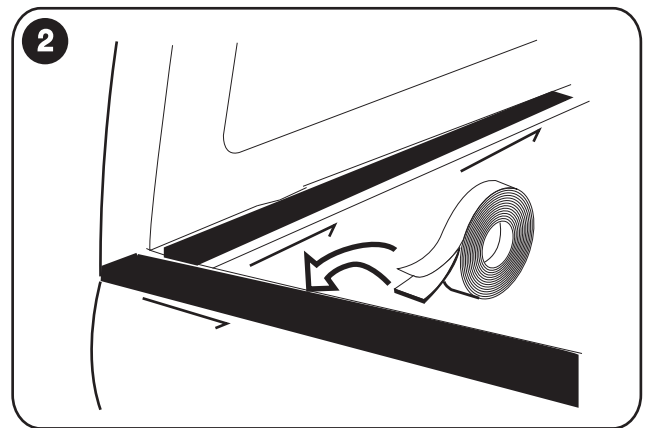
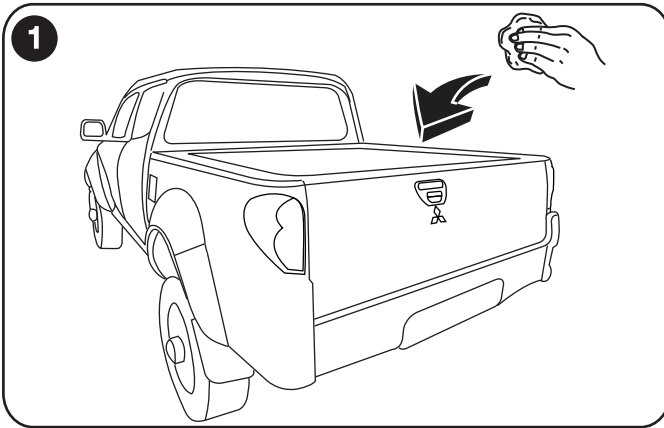
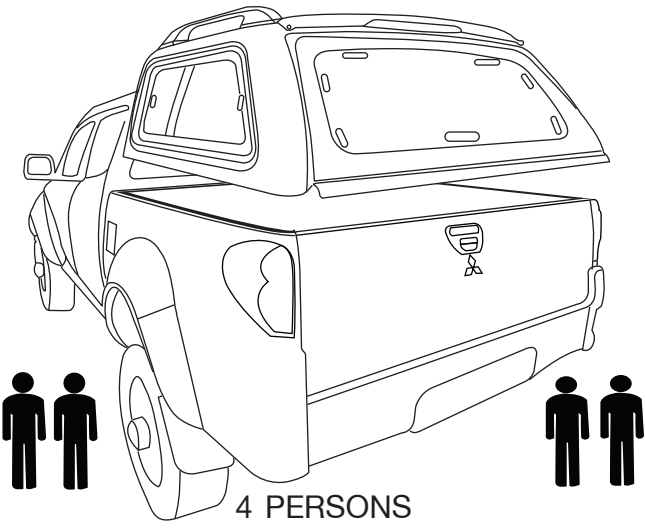


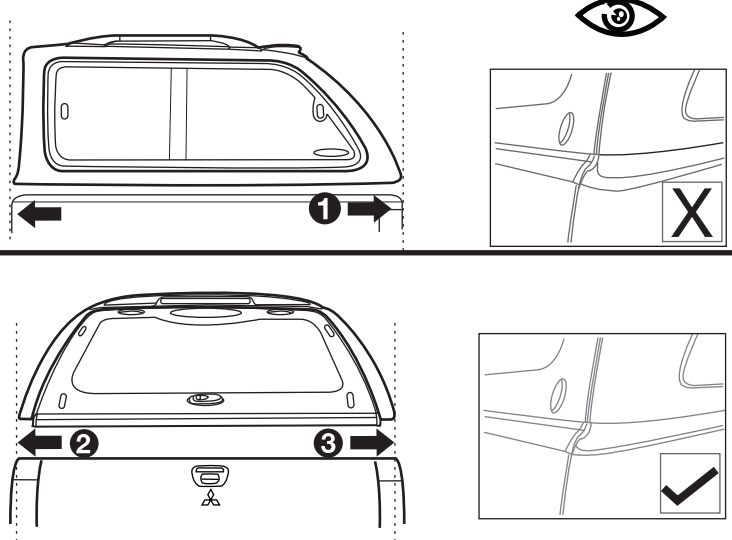
<p><b>1</b> HARDTOP 1 SET.</p> 	<p><b>2</b> KWIC KLAMP S4 6 SET</p> 	<p><b>3</b> LATCH STL.S-5 P/L 2 SET</p> 	<p><b>4</b> RUBBER TRUCK EDGE 1 PC.</p> 
---	---	--	---



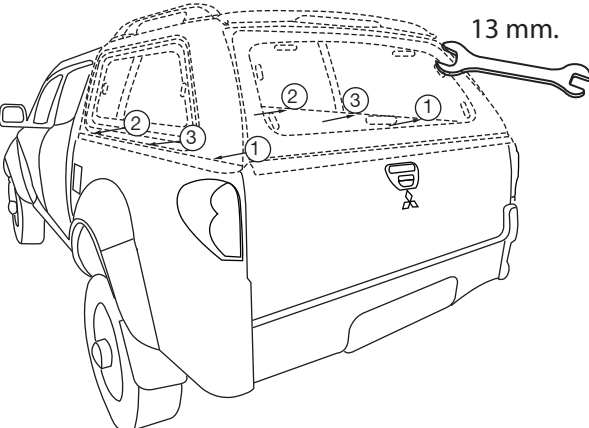
**3**



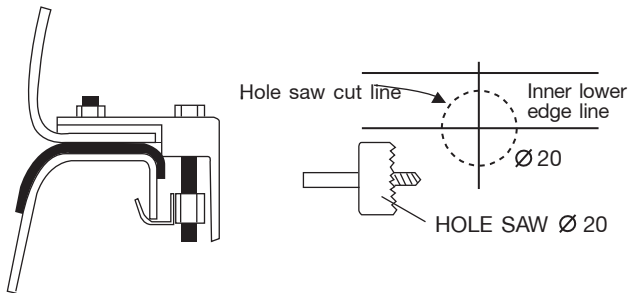
4 PERSONS



**4** FOR 6 POSITIONS




13 mm.



Hole saw cut line  
Inner lower edge line  
Ø 20  
HOLE SAW Ø 20

In case of having bed liner , the bed liner must be drilled with a hole saw 20 mm. at the same level of truck's inner low edge



7 Nm.

