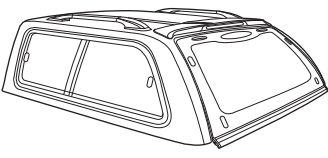
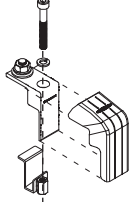
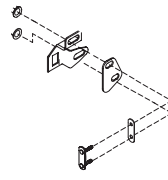

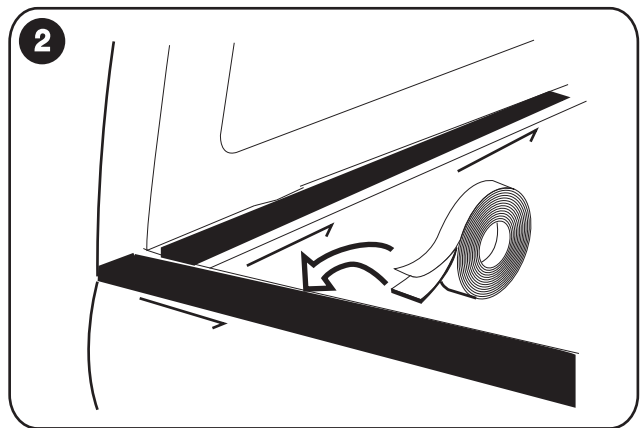
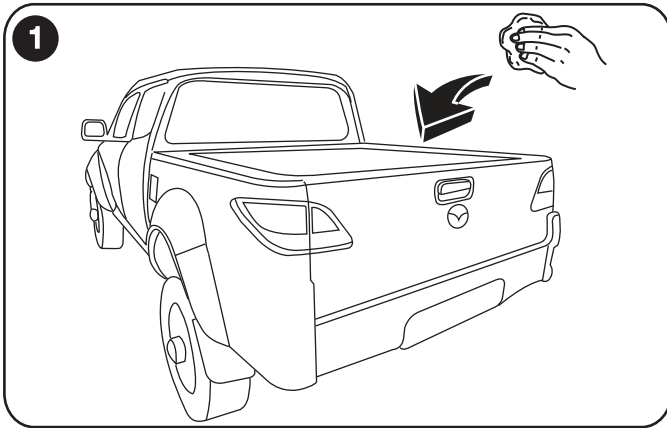
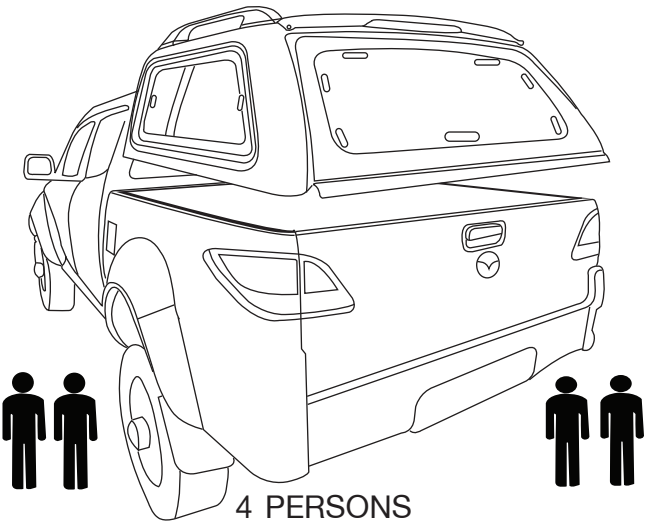


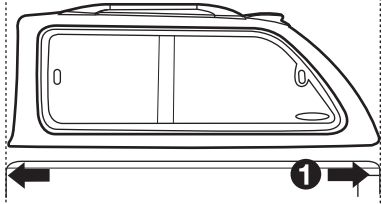
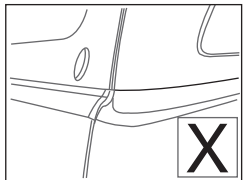
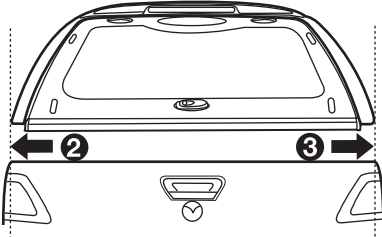
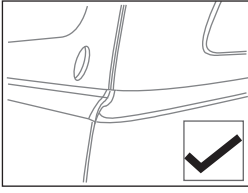
<p><b>1</b> HARDTOP 1 SET.</p> 	<p><b>2</b> KWIC KLAMP S4 6 SET</p> 	<p><b>3</b> LATCH STL.S-5 P/L 2 SET</p> 	<p><b>4</b> RUBBER TRUCK EDGE 1 PC.</p> 
---	---	--	---



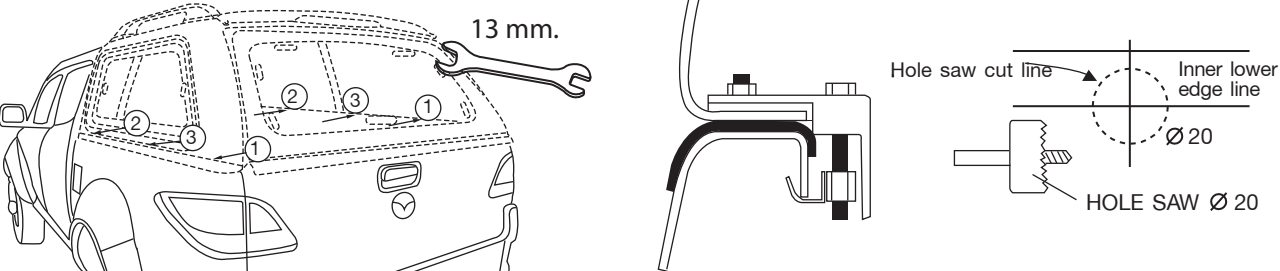
**3**



4 PERSONS

 <p><b>1</b></p>	
 <p><b>2</b>      <b>3</b></p>	

**4** FOR 6 POSITIONS



13 mm.


Hole saw cut line

Inner lower edge line

Ø 20

HOLE SAW Ø 20

In case of having bed liner , the bed liner must be drilled with a hole saw 20 mm. at the same level of truck's inner low edge



7 Nm.

