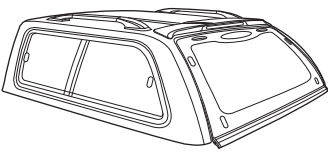
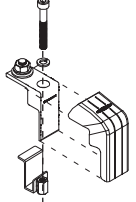
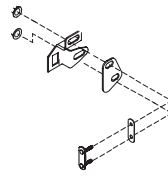
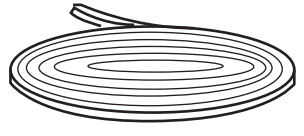
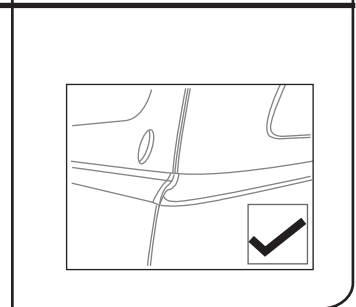
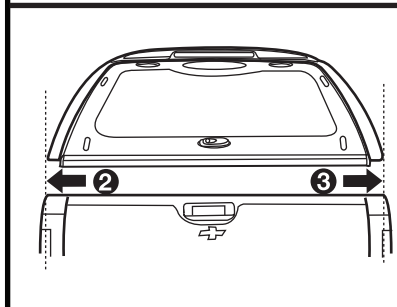
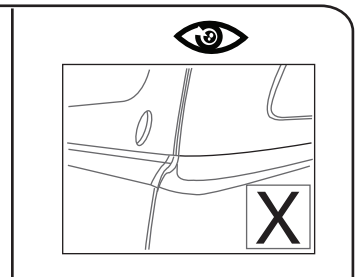
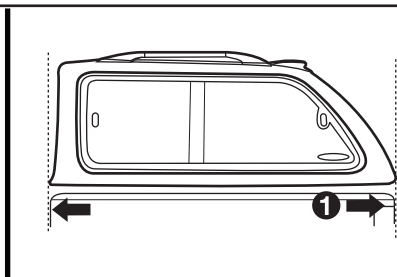
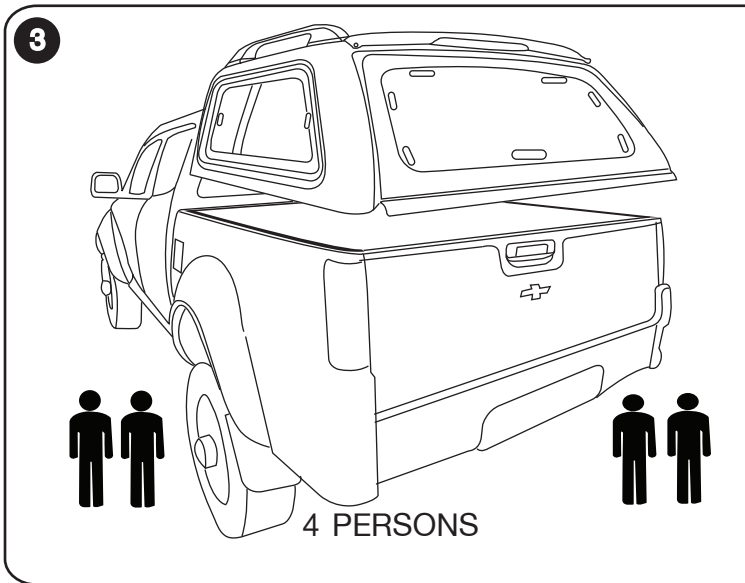
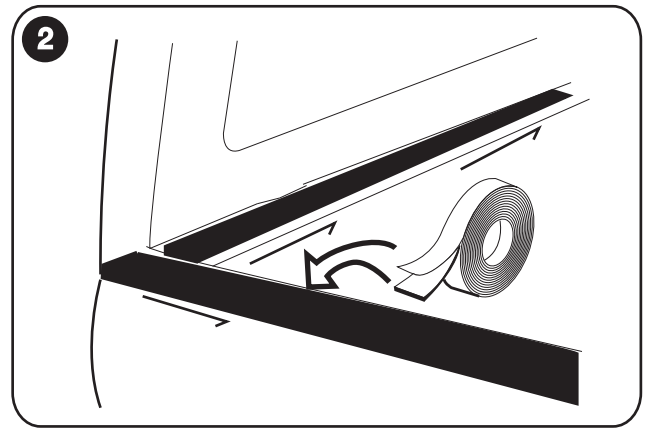
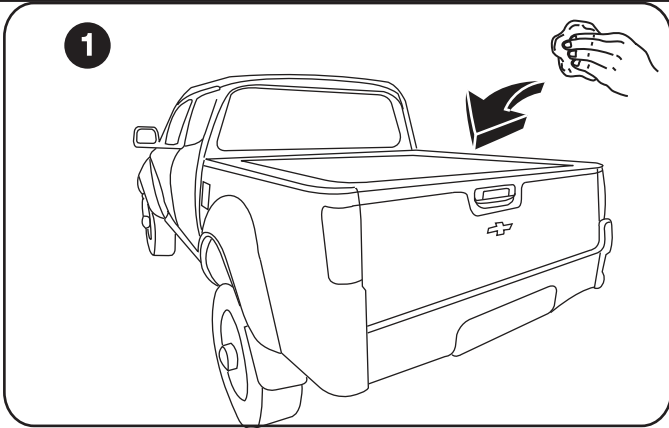
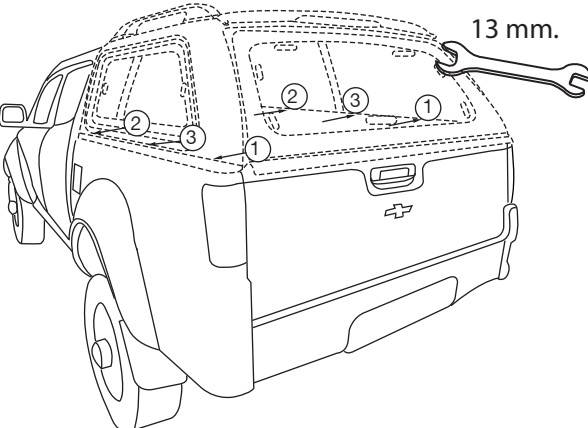


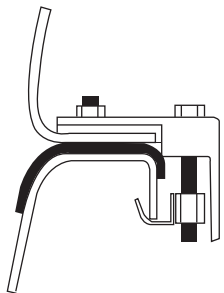
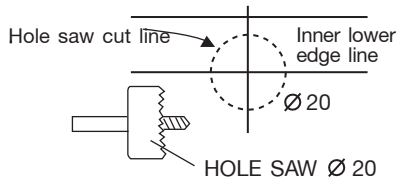
<p>1 HARDTOP 1 SET.</p> 	<p>2 KWIC KLAMP S4 6 SET</p> 	<p>3 LATCH STL.S-5 P/L 2 SET</p> 	<p>4 RUBBER TRUCK EDGE 1 PC.</p> 
---	---	--	---



4 FOR 6 POSITIONS




13 mm.

Hole saw cut line
Inner lower edge line
Ø 20
HOLE SAW Ø 20

In case of having bed liner , the bed liner must be drilled with a hole saw 20 mm. at the same level of truck's inner low edge



7 Nm.

