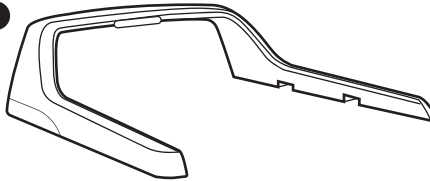


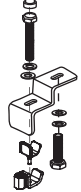
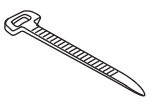
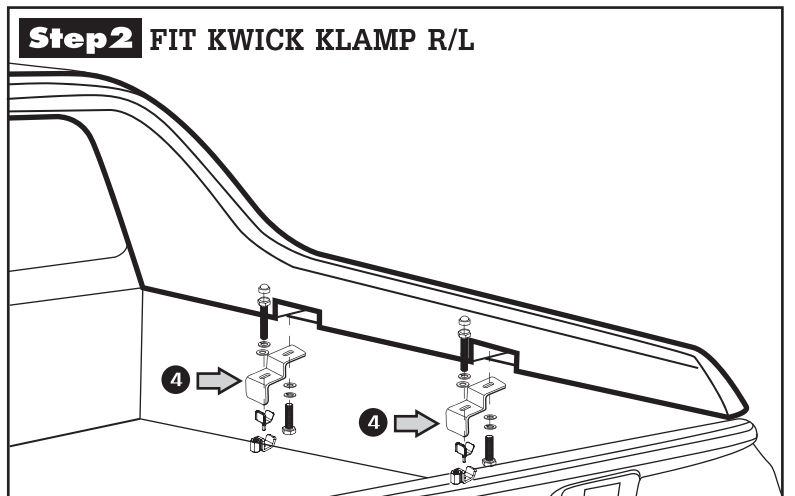
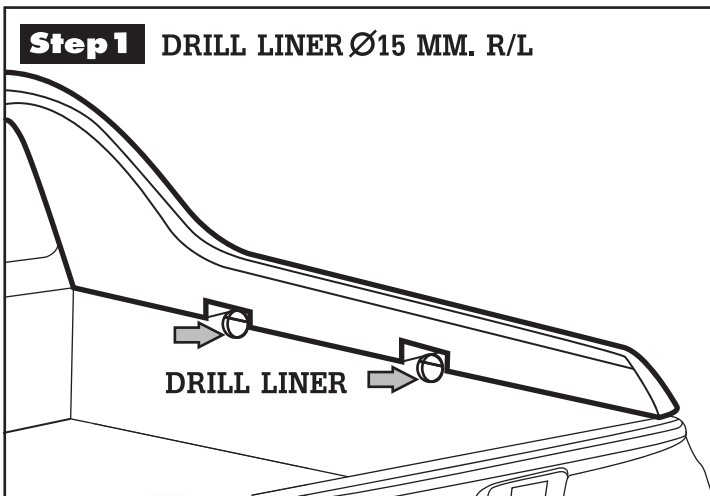
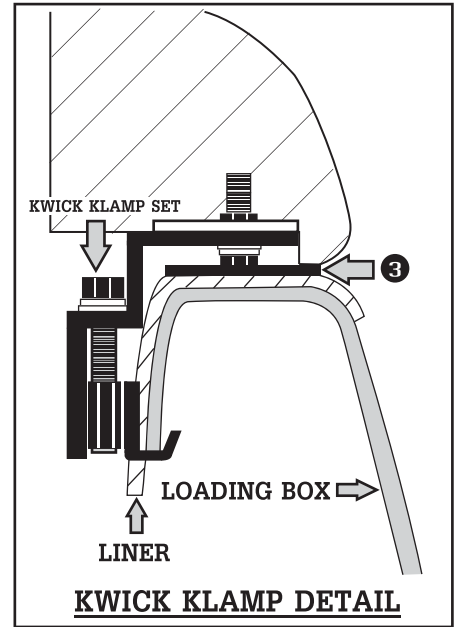
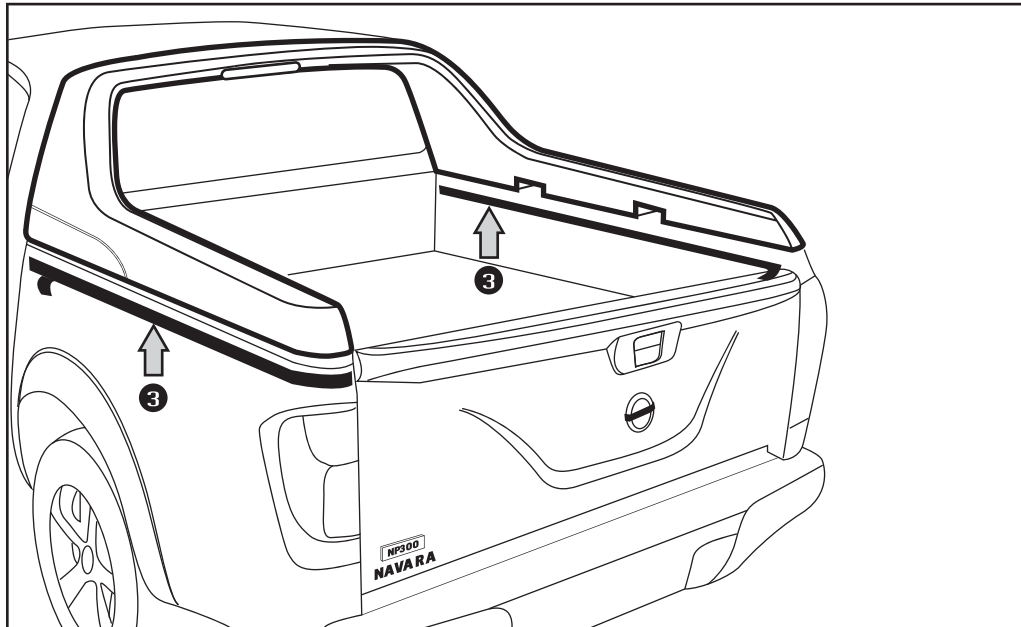
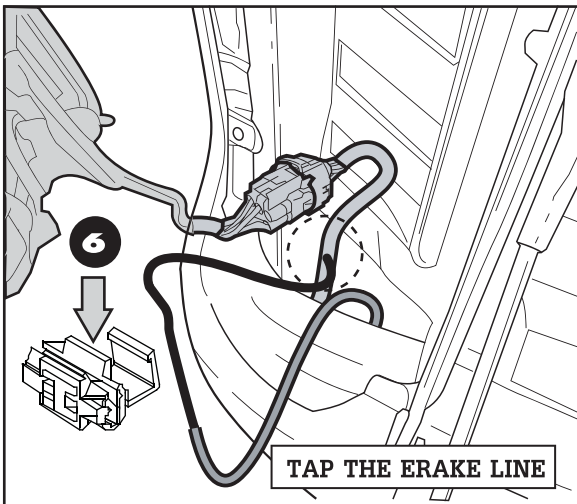
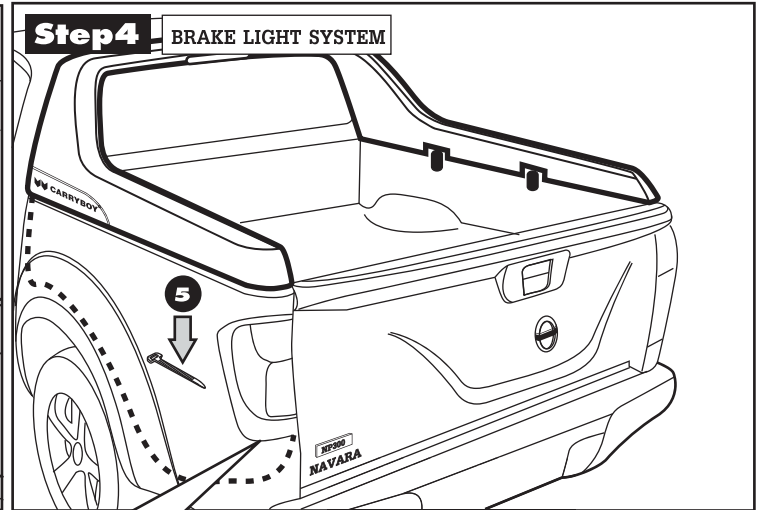
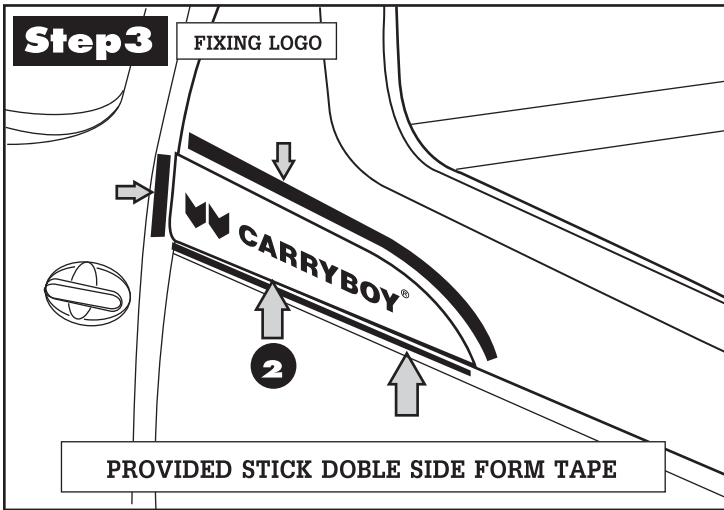


ASSEMBLE PARTS

<p>1</p>  <p>Roll Bar fiber 1 Set.</p>	<p>2</p>  <p>Logo Carryboy R/L 2 Pcs.</p>	<p>3</p>  <p>Ruber Edge Pickup 1 Pc.</p>	<p>4</p>  <p>Kwick Klamp 4 Set.</p>
---	---	---	---

<p>5</p>  <p>Plastic Belt 6" 6 Pcs.</p>	<p>6</p>  <p>Electric Klamp Lock AWG-14-18 2 Pcs.</p>	<h3>TOOL INSTALLATION</h3>  <p>WRENCH No.13 TORQUE WRENCH No.13</p>
--	---	--



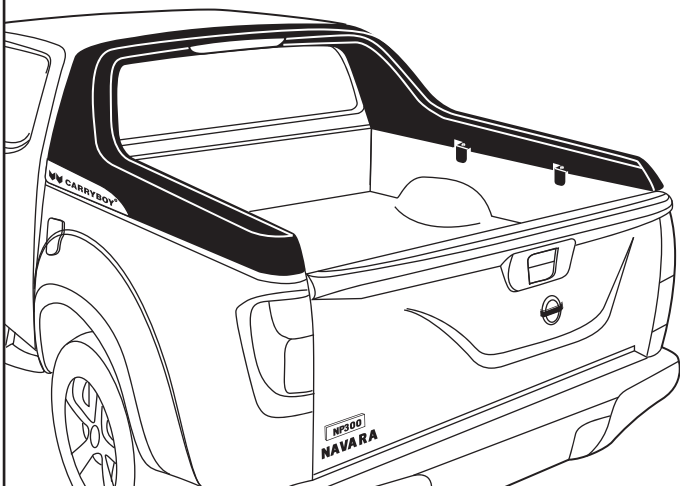


RECYCLE PLASTIC

WIRING HARNESS COLOR

VEHICLE	BRAKE
NISSAN NP300	YELLOW

NISSAN NP300 CAB



NISSAN NP300 D-CAB

