
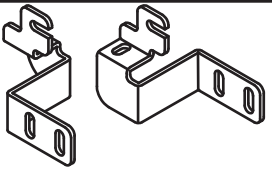
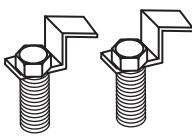
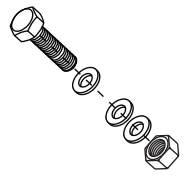




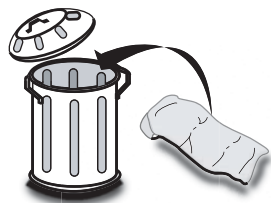
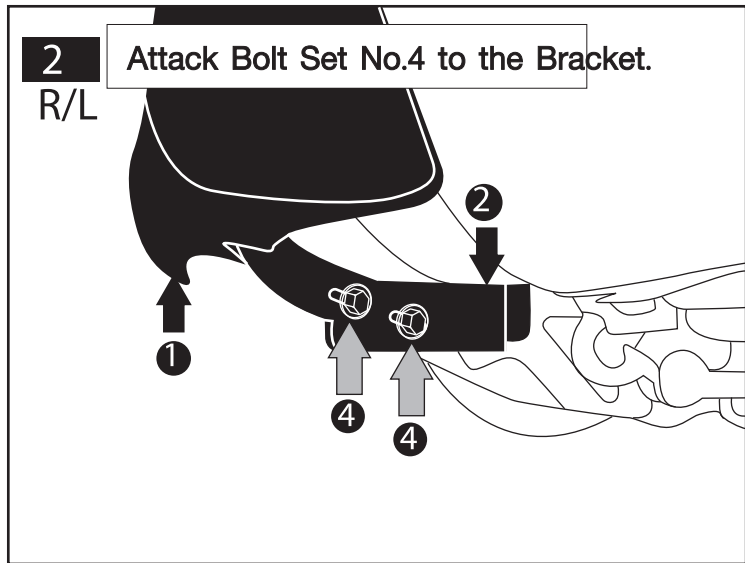
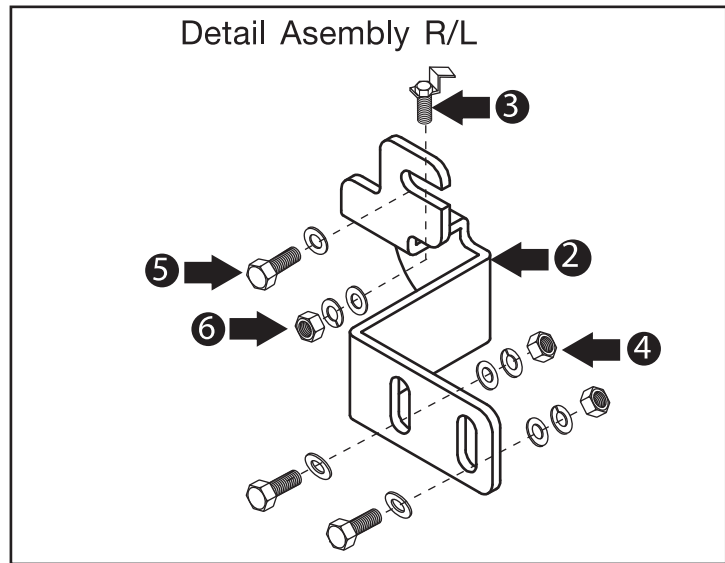
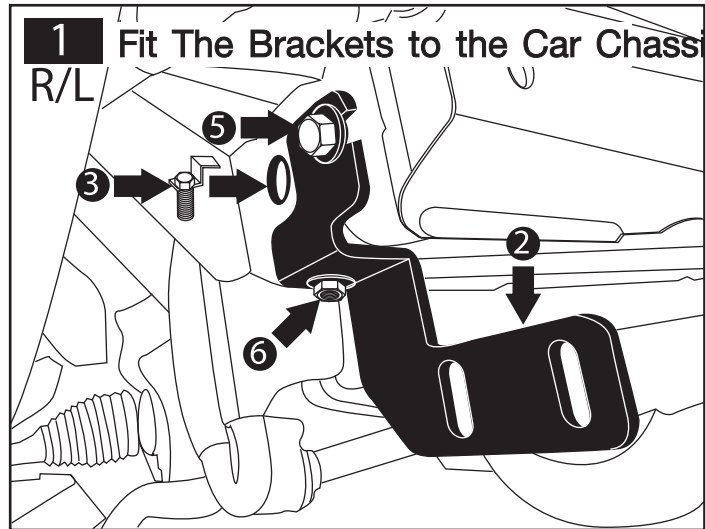
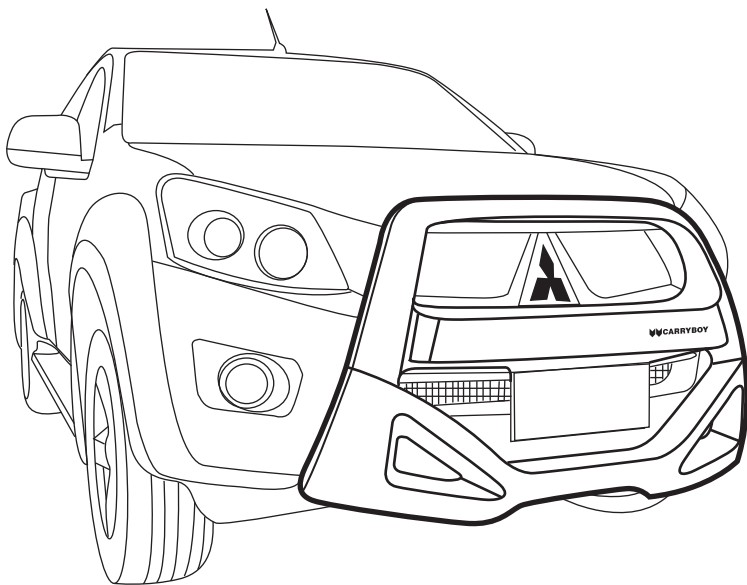


**INSTALLATION** MITSUBISHI TRITON 4x2,4x4

**PART INSTALLATION**

<p><b>1</b></p>  <p>Front Nudge Guard 1 Pc.</p>	<p><b>2</b></p>  <p>Mounting Bracket R/L 2 Pcs. (4x2/4x4)</p>	<p><b>3</b></p>  <p>Fixed Mounting Bracket 2 Pcs.</p>	<p><b>4</b></p>  <p>Bolt, Nuts &amp; Washer M10 4 Sets.</p>
<p><b>5</b></p>  <p>Bolt &amp; Nuts M10 2 Set.</p>	<p><b>6</b></p>  <p>Washer &amp; Spring, Nuts M8 2 Set.</p>	<p><b>INSTALLATION TOOLS</b></p>   <p>Torque Wrench No.13,17      WRECH 13,17</p>	



**PLASTIC RECYCLE**