
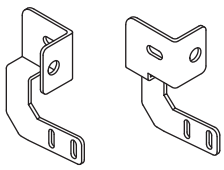
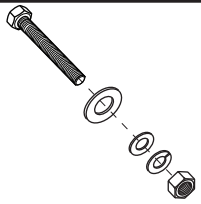

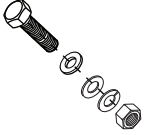


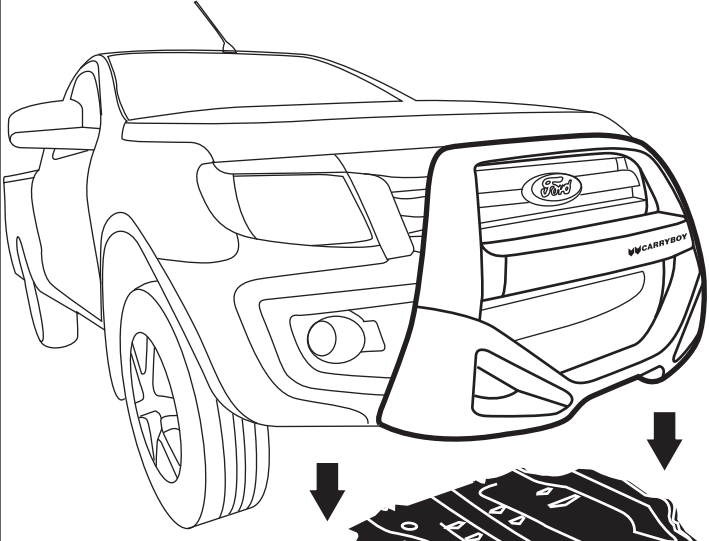


INSTALLATION FORD T-6 / MAZDA BT-50 PRO

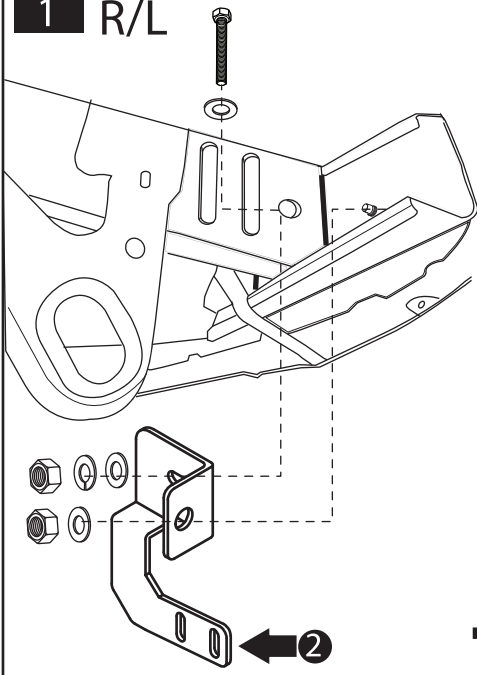
PART INSTALLATION

<p>1</p>  <p>Front Nudge Guard 1 Pc.</p>	<p>2</p>  <p>Mounting Bracket R/L 2 Pcs.</p>	<p>3</p>  <p>Bolt, Nuts & Washer M10 2 Set.</p>	<p>4</p>  <p>NUT & WASHER 2 SET.</p>
<p>5</p>  <p>Bolt, Nuts & Washer M10 4 Set.</p>	<p>INSTALLATION TOOLS</p>  <p>WRENCH 13,17</p>  <p>Torque Wrench No.13,17</p>		

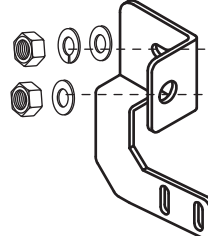


TAKE OF CRACK GUARD AND PUT BACK ON

1 R/L

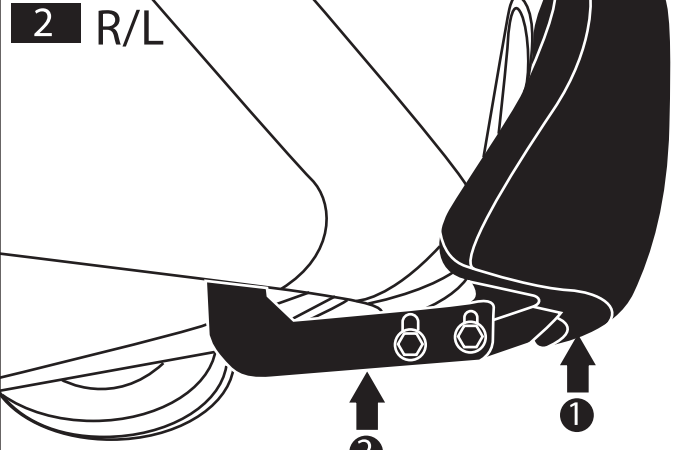


2



PLASTIC RECYCLE

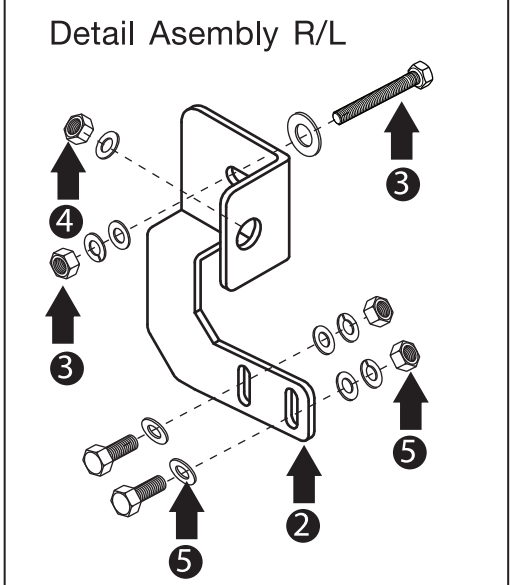
2 R/L



1

2

Detail Asembly R/L



1

2

3

4

5