
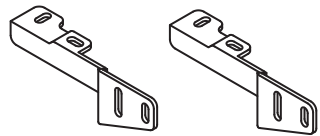




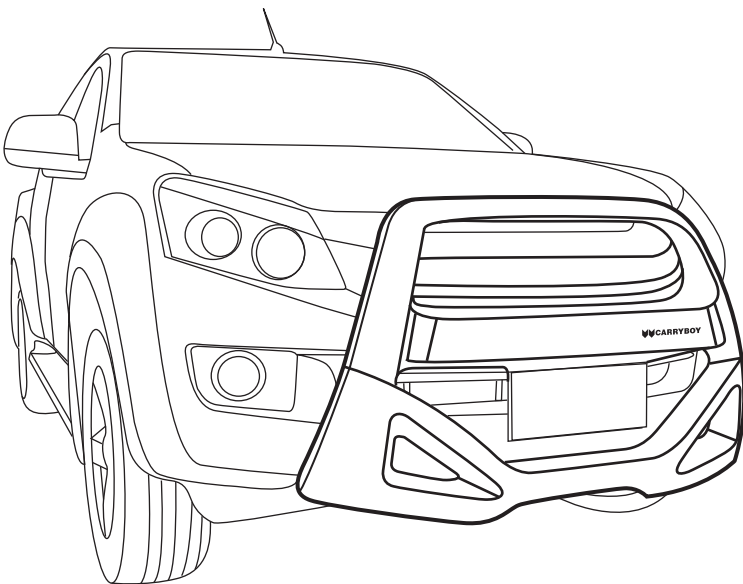


**INSTALLATION**

ISUZU RT-50,CHEVROLET,COLORADO

**PART INSTALLATION**

<p><b>1</b></p>  <p>Front Nudge Guard 1 Pc.</p>	<p><b>2</b></p>  <p>Mounting Bracket R/L 2 Pcs.</p>	<p><b>3</b></p>  <p>Bolt &amp; Washer M10 2 Set.</p>	<p><b>4</b></p>  <p>Bolt,Nuts &amp; Washer M10 4 Set.</p>
<p><b>INSTALLATION TOOLS</b></p> <div style="display: flex; justify-content: space-around; align-items: center;"> <div style="text-align: center;">  <p>WRECH 15,17</p> </div> <div style="text-align: center;">  <p>Torque Wrench No,15,17</p> </div> </div>			



**1** Preparing a Fitting Area at The Chassis.  
R/L

The Original Vehicle Bolt

45 N

**2** Fit The Brackets to the Car Chassis.  
R/L

Bolt Set No.3

The Original Vehicle Bolt

45 N

**3** Attack Bolt Set No.4 to the Bracket  
R/L

4

2

4

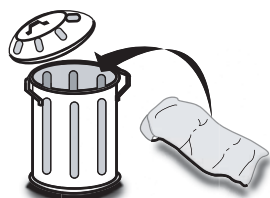
45 N

Detail Asembly R/L

2

2

4



**PLASTIC RECYCLE**