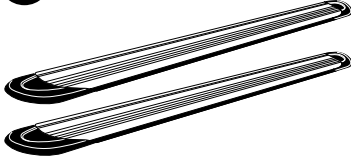
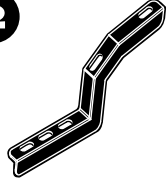
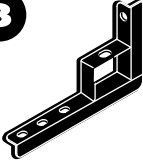




## INSTALLATION

**MAZDA BT-50 PRO, FORD T-6 4x2, 4x4**

### PART

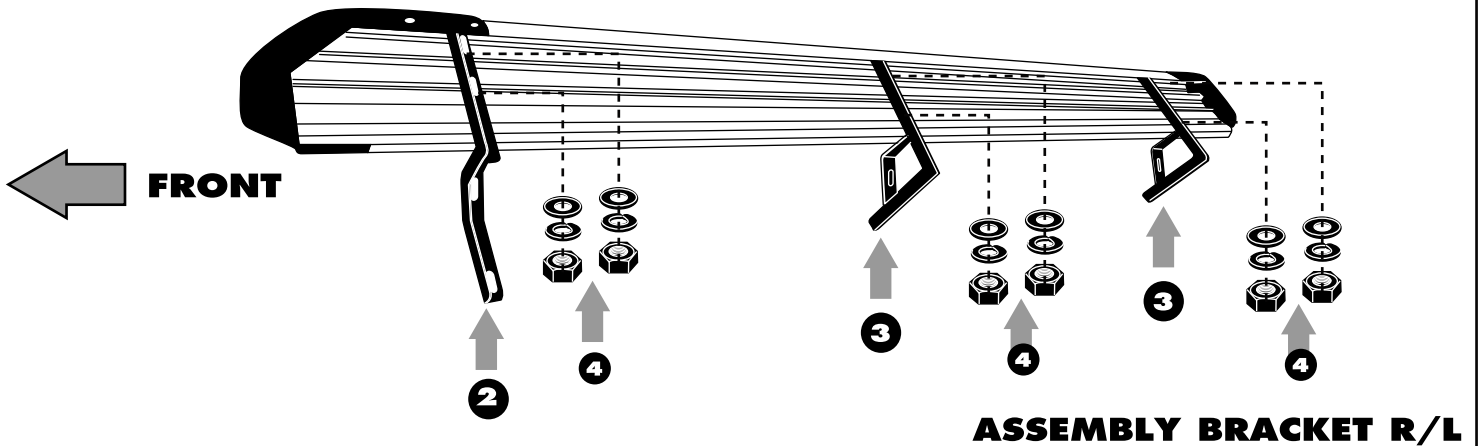
<p><b>1</b></p>  <p>SIDE STEP 2 SET</p>	<p><b>2</b></p>  <p>SIDE STEP BRACKET FRONT BRACKET L-R 2 PCS.</p>	<p><b>3</b></p>  <p>SIDE STEP BRACKET MIDDLE &amp; REAR L-R 4 PCS.</p>	<p><b>4</b></p>  <p>NUT &amp; WASHER M8 12 SETS.</p>	<p><b>5</b></p>  <p>BOLTS &amp; WASHER M10x30 12 SETS.</p>
---	---	---	---	---

### INSTALLATION TOOL

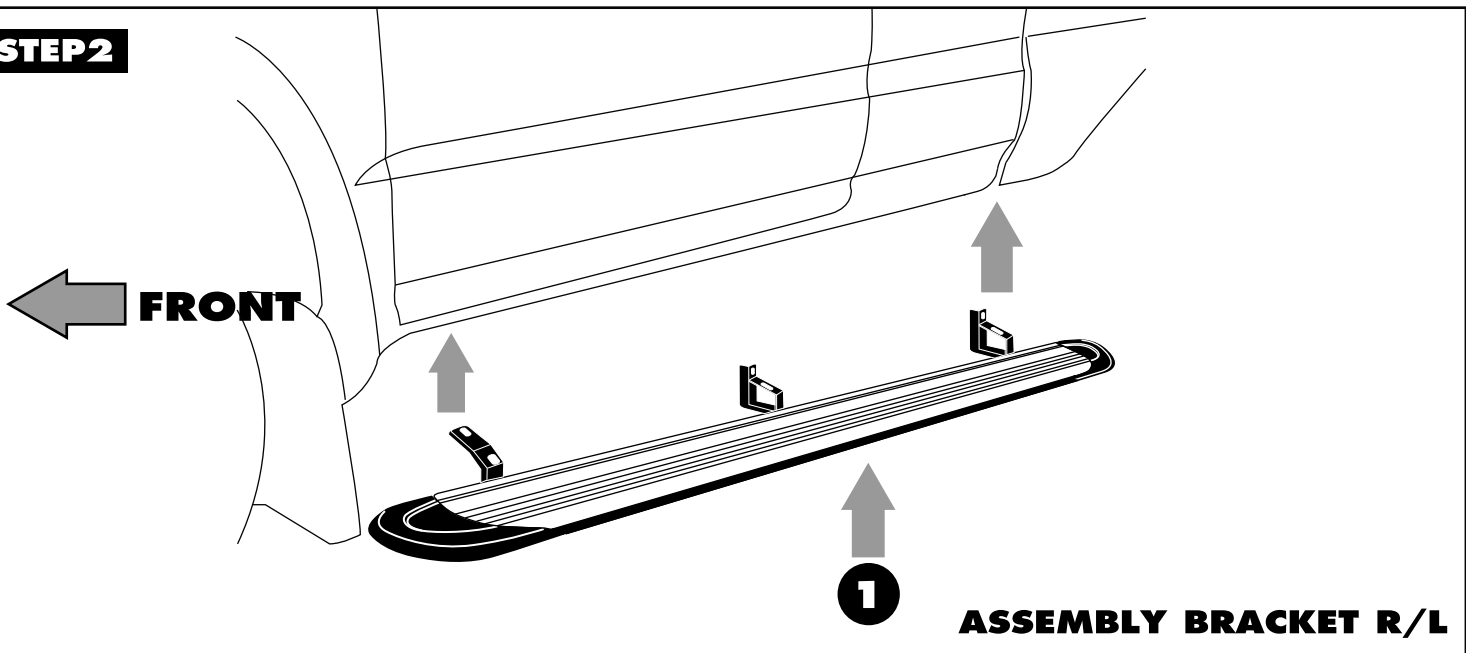


**WRENCH No. 12, 13**

### STEP 1

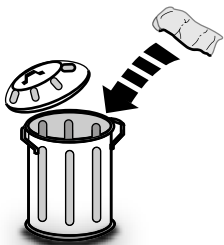
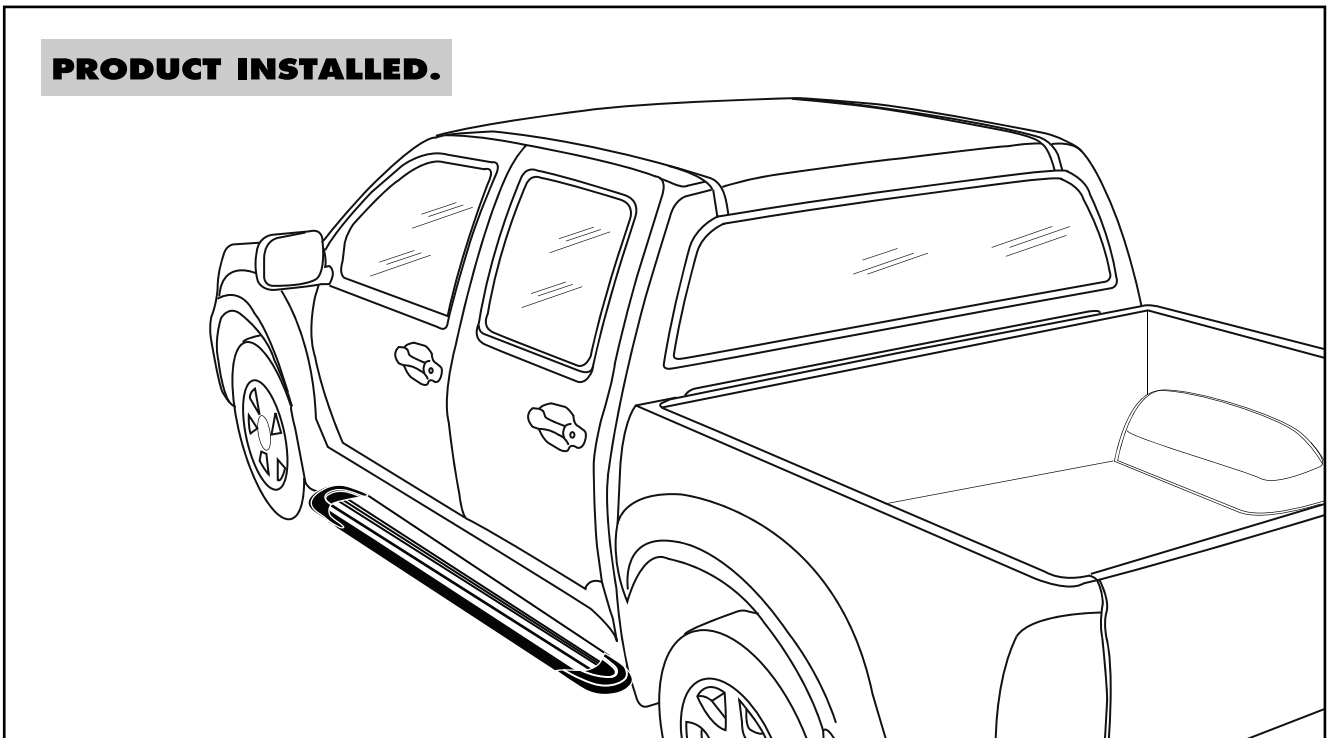
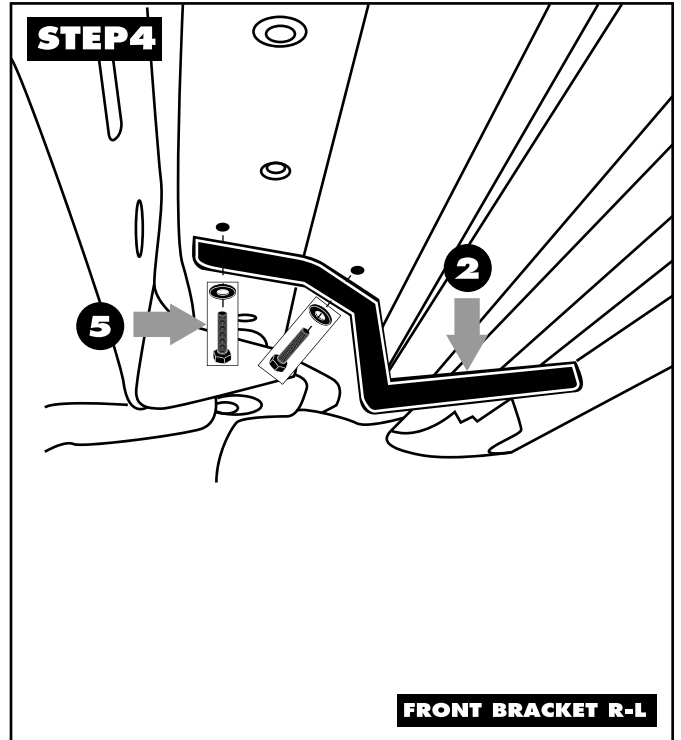
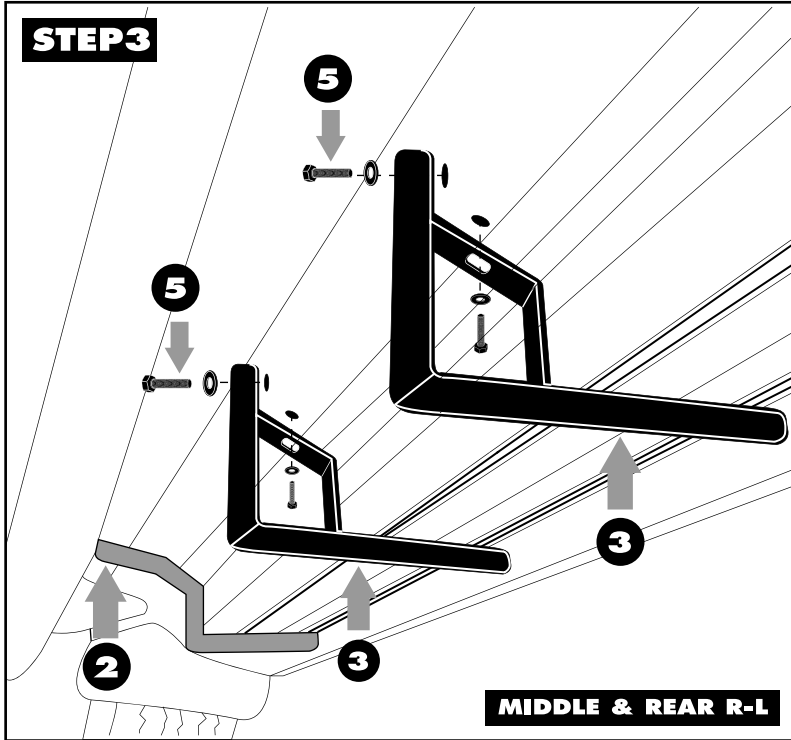


### STEP 2



### INSTALLATION

MAZDA BT-50 PRO, FORD T-6 4x2, 4x4



**PLASTIC RECYCLE**